



Product designation				Switch disconnecter
Product type designation				GA
Number of poles		Nr.	3	
Operating voltage type			AC	
Contact characteristics				
IEC Conventional free air thermal current I _{th}		A	40	
Rated insulation voltage U _i IEC/EN		V	1000	
Rated impulse withstand voltage U _{imp}		kV	8	
Operating current I _e				
	AC21A			
		400V	A	40
		500V	A	40
		690V	A	40
	AC22A			
		400V	A	40
		500V	A	40
		690V	A	40
	AC23A			
		400V	A	40
		500V	A	25
		690V	A	25
Power dissipation per pole max			W	1
Rated operational power AC23A				
		400V	kW	18.5
		690V	kW	22
Conditional short-circuit current (rms)			kA	10
Short-circuit protection with fuse			Class/A	gG40
Making capacity AC23A 400V			A	400
Breaking capacity AC23A 400V			A	320
Mechanical life			cycles	100000
Electrical life AC21A			cycles	100000
Mechanical features				
Operating position			normal allowable	Vertical plan Any
Fixing				Screw / DIN rail 35mm
Terminals				
		type		Pillar
		width	mm	5.6
		height	mm	6.5
		screw		M4
		tool		Phillips 2
Tightening torque for terminals				

min	Nm	1.8
max	Nm	2
min	Ibin	16
max	Ibin	18

Conductor section

IEC min	mm ²	0.75
IEC max	mm ²	16
AWG/kcmil min		18
AWG/kcmil max		6

Ambient conditions

Operating temperature

min	°C	-25
max	°C	55

Storage temperature

min	°C	-40
max	°C	70

Max altitude

m	3000
---	------

Resistance & Protection

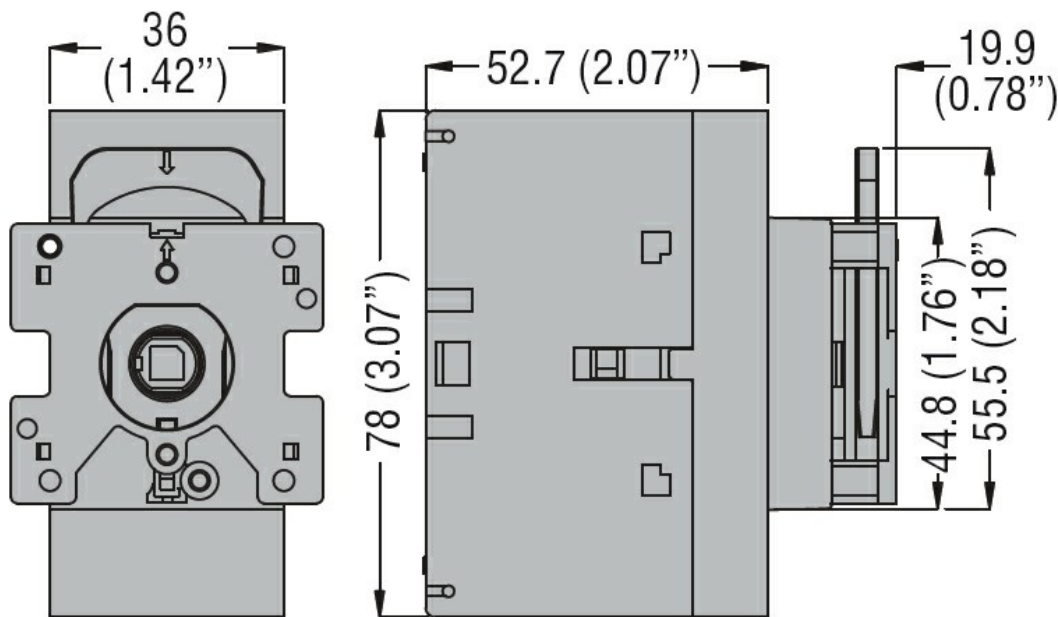
Frontal IP degree

IP20

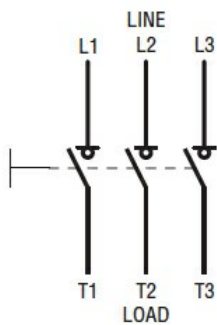
Pollution degree

3

Dimensions



Wiring diagrams



Certifications and compliance

Compliance

CSA C22.2 n°60947-4-1
IEC/EN 60947-1
IEC/EN 60947-3
UL60947-4-1

Certifications

CCC
CSA C22.2 n°60947-4-1
cULus according to UL60947-4-1
EAC
KEMA

ETIM classification

ETIM 8.0

EC000216 -
Switch
disconnecter